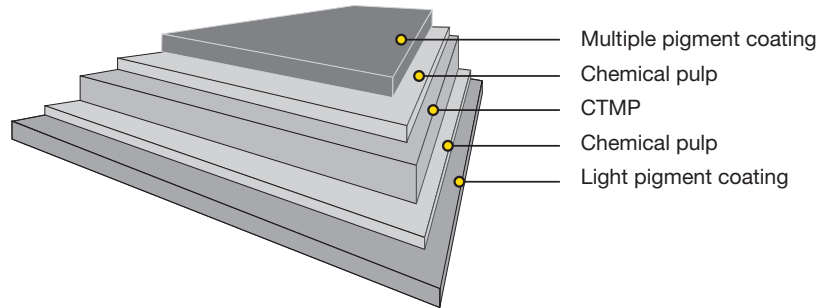




Performa Lumi™ – preliminary (Oulu Mill)

Fully coated CTMP board with light pigment coated reverse, FiberLight Tec™

Performa Lumi is a pigment coated GC1 board with a three-layer fiber construction and CTMP (chemi-thermomechanical pulp) in the middle layer, produced with patented FiberLight Tec™ production technology. It is multiple pigment coated on the top side, with one layer of pigment coating on the reverse side.



Issued: 04.2024

Technical specification

Property/ Unit	Tolerance						Standard
		205	230	255	280	310	
Grammage, g/m ²	±4%	205	230	255	280	310	ISO 536
Thickness, µm	±5%	305	356	406	457	508	ISO 534
Caliper, pts		12.0	14.0	16.0	18.0	20.0	
Bending resistance L&W 15° MD, mN	-15%	197	298	399	541	748	ISO 2493-1
Bending resistance L&W 15° CD, mN	-15%	90	136	181	246	340	
Bending moment Taber 15° MD, mNm	-15%	9.5	14.4	19.3	26.1	36.2	
Bending moment Taber 15° CD, mNm	-15%	4.3	6.6	8.7	11.9	16.4	
ISO Brightness C/2°, %, Top		90	90	90	90	90	ISO 2470-1
ISO Brightness C/2°, %, Reverse		88	88	88	88	88	
CIE Whiteness D65/10°, Top		120	120	120	120	120	ISO 11475
CIE Whiteness D65/10°, Reverse		114	114	114	114	114	
Surface Smoothness, PPS 10, µm, Top	max. 1.7	1.0	1.0	1.0	1.0	1.0	ISO 8791-4
Surface Smoothness, PPS 10, µm, Reverse		6.5	6.5	6.5	6.5	6.5	
Gloss 75°, %		45	45	45	45	45	ISO 8254-1
Scott Bond, J/m ²	min. 100	150	150	150	150	150	TAPPI 569
Cobb 60, g/m ² , Top		30	30	30	30	30	ISO 535
Cobb 60, g/m ² , Reverse		30	30	30	30	30	
Robinson chocolate test		< 1 for one year storage in reels/pallet					EN1230-2